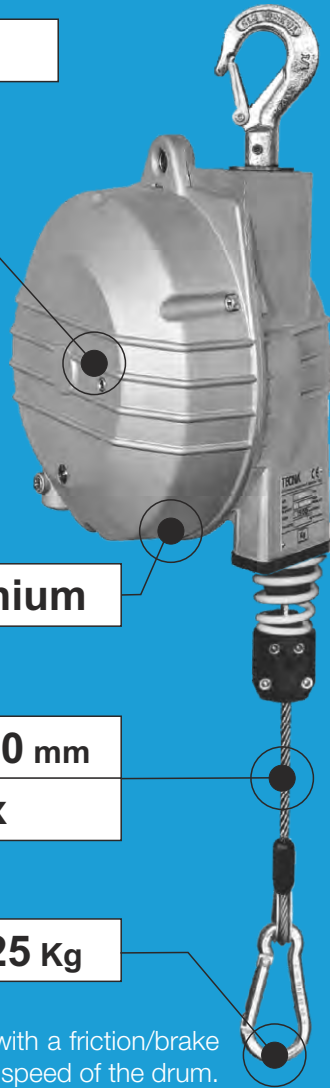


9354 ÷ 9359

Option F



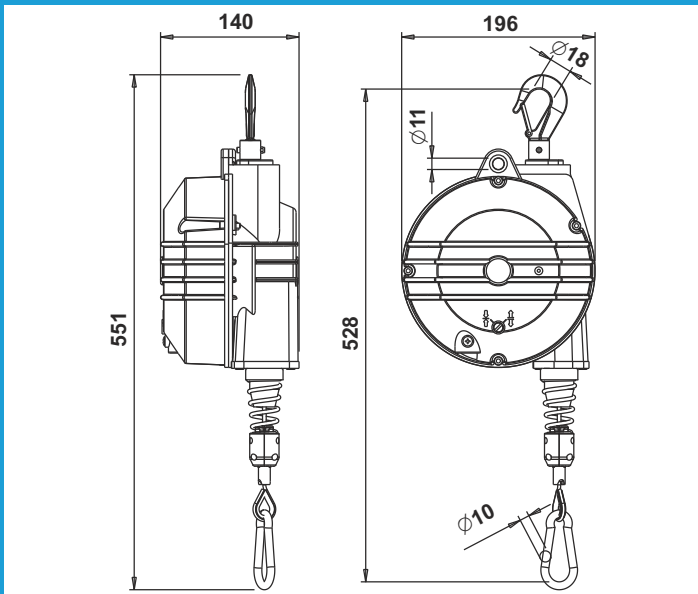
Aluminium

2000 mm
Inox

4÷25 Kg

Option F Brake device

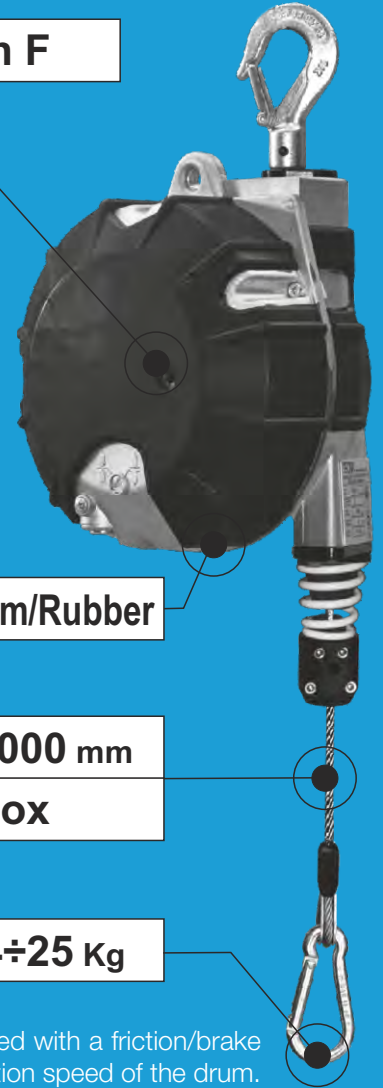
The balancer is equipped with a friction/brake which controls the rotation speed of the drum. This option is feasible when placing a new order while it is not possible to assemble this device on balancers already installed.



Item	9354	9355	9356	9357	9358	9359
	4÷7	7÷10	10÷14	14÷18	18÷22	22÷25
Kg	4,94	5,30	5,67	6,26	5,89	6,53

9354G ÷ 9359G

Option F



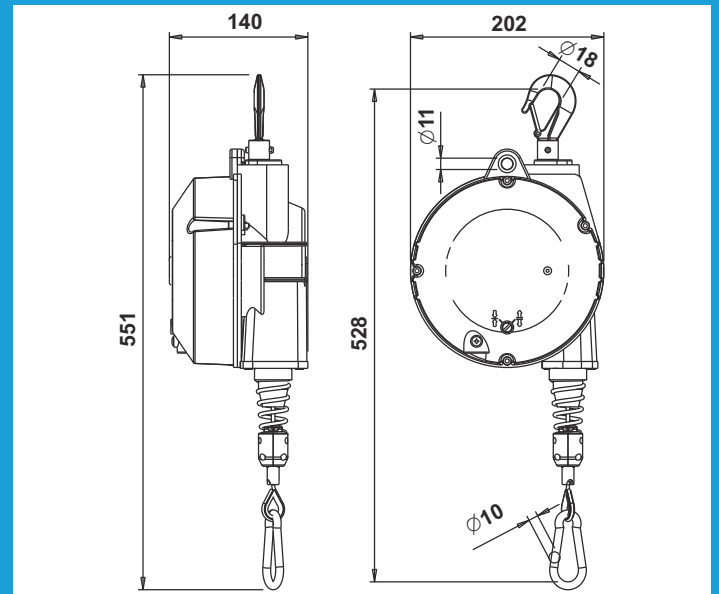
Aluminium/Rubber

2000 mm
Inox

4÷25 Kg

Option F Brake device

The balancer is equipped with a friction/brake which controls the rotation speed of the drum. This option is feasible when placing a new order while it is not possible to assemble this device on balancers already installed.



Item	9354G	9355G	9356G	9357G	9358G	9359G
	4÷7	7÷10	10÷14	14÷18	18÷22	22÷25
Kg	5,58	5,93	6,31	6,90	6,53	7,17