

# 9502AX ÷ 9509AX

30

**ATEX** **Ex**

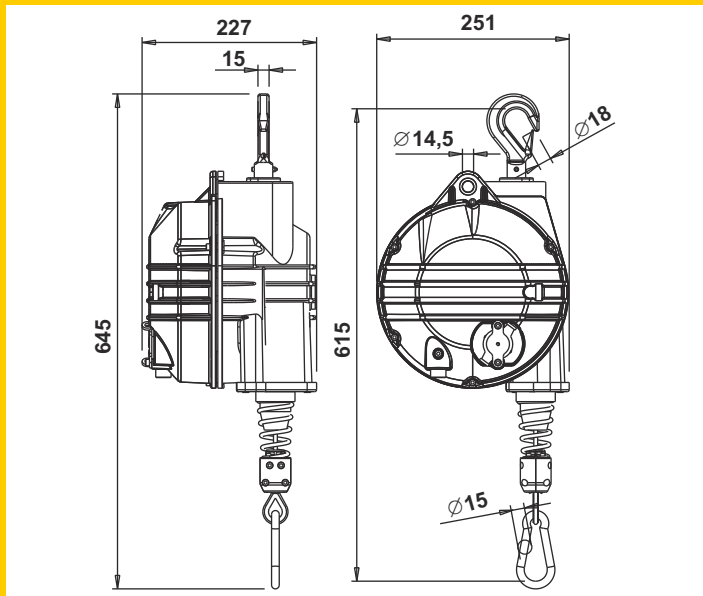
II 2G c T6  
II 2D c T 85°C



**Aluminium**

**2100 mm**  
**Inox**

**20÷100 Kg**



Item	9502AX	9503AX	9504AX	9505AX	9506AX	9507AX	9508AX	9509AX
	20÷30	30÷40	40÷50	50÷60	60÷70	70÷80	80÷90	90÷100
<b>Kg</b>	12,60	15,20	15,50	16,70	15,50	17,70	16,20	16,80