

9354AX ÷ 9359AX

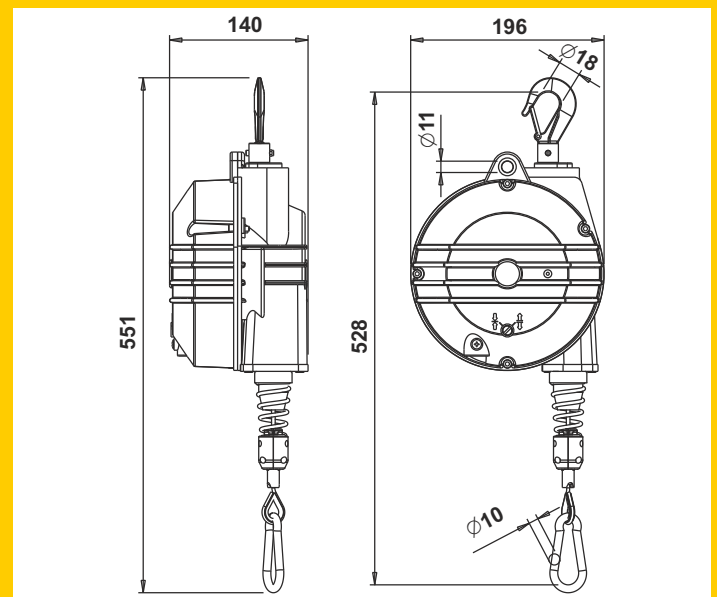
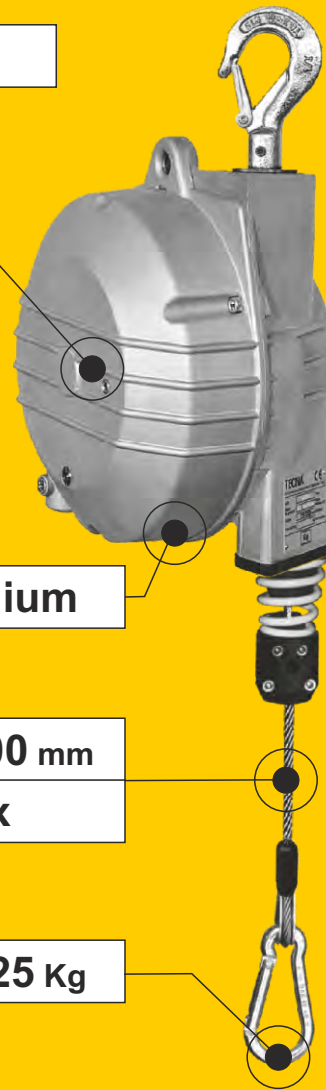
29
ATEX 
 II 2G c T6
 II 2D c T 85°C

Option F


Aluminium

 **2000 mm**
Inox

 **4÷25 Kg**



Option F Brake device
 The balancer is equipped with a friction/brake which controls the rotation speed of the drum. This option is feasible when placing a new order while it is not possible to assemble this device on balancers already installed.

Item	9354AX	9355AX	9356AX	9357AX	9358AX	9359AX
	4÷7	7÷10	10÷14	14÷18	18÷22	22÷25
Kg	4,94	5,30	5,67	6,26	5,89	6,53