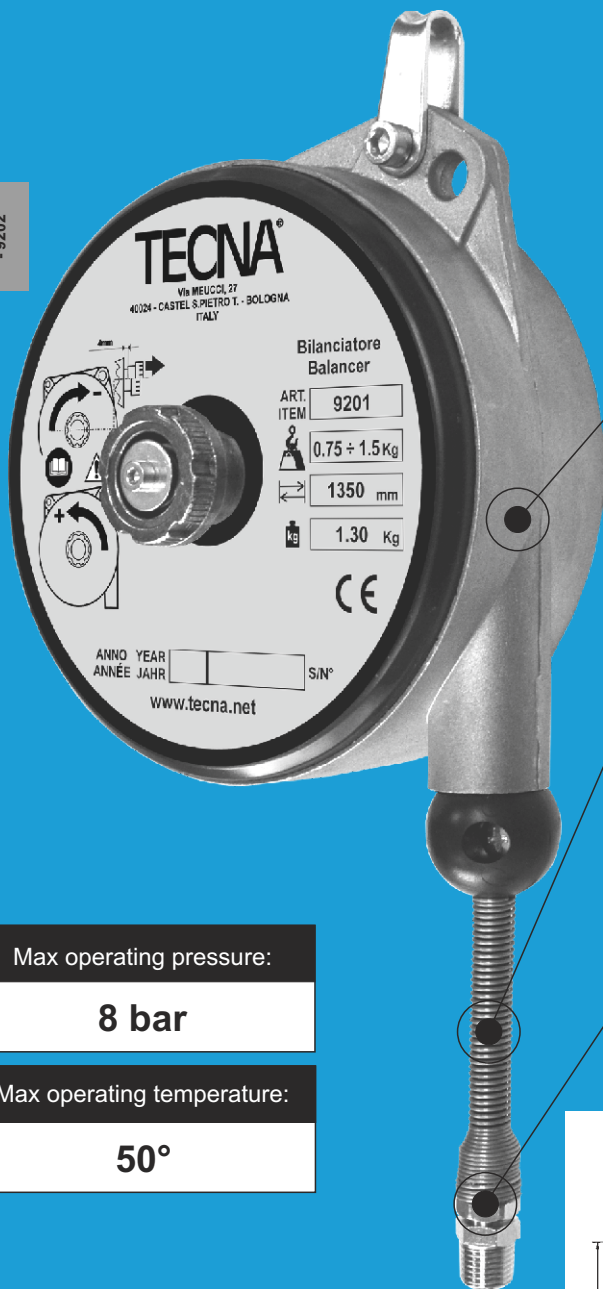


# 9200 ÷ 9203 HOSE BALANCERS

24

Only for item 9200 - 9201 - 9202



**Aluminium**

	<b>1350 mm</b>	<b>9200÷9202</b>
	<b>900 mm</b>	<b>9203</b>
<b>Polyurethane</b>		

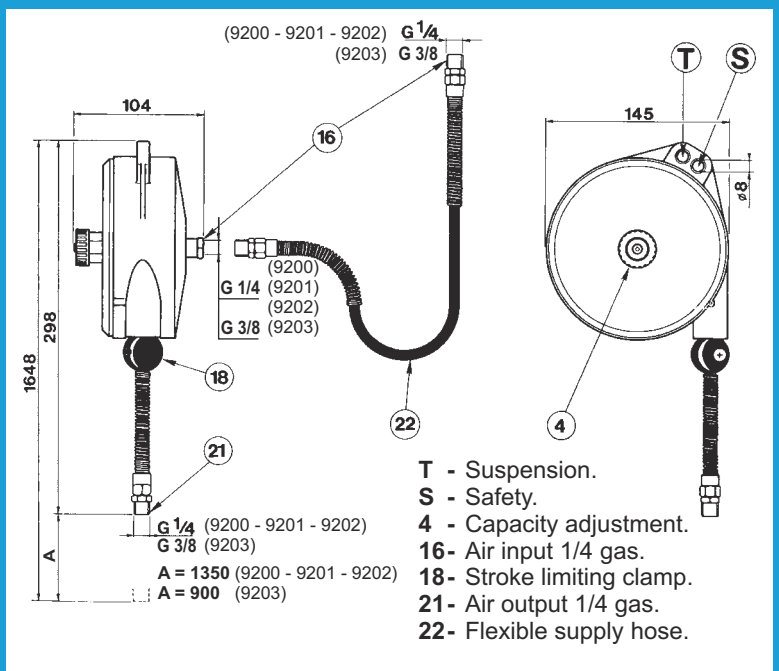
**0,4÷5 Kg**

Max operating pressure:
<b>8 bar</b>
Max operating temperature:
<b>50°</b>

Used for arranging ergonomic work stations.  
Applications: Screw drivers - Drills - Shearing machines - Tools for electronics - Air guns.

### ADVANTAGES

- Maximum ease of use.
- Minimum overall dimensions as the tool is supported by the hose.
- Polyurethane hose.
- Rugged construction, cast aluminium body.
- Adjustable capacity.
- Springs properly sized to ensure long life and smooth running.
- Adjustable stroke limiting device.
- Auxiliary safety suspension.



Item	9200	9201	9202	9203
	<b>0,4÷0,8</b>	<b>0,75÷1,5</b>	<b>1,2÷2,5</b>	<b>3÷5</b>
<b>Kg</b>	<b>1,25</b>	<b>1,30</b>	<b>1,35</b>	<b>1,35</b>