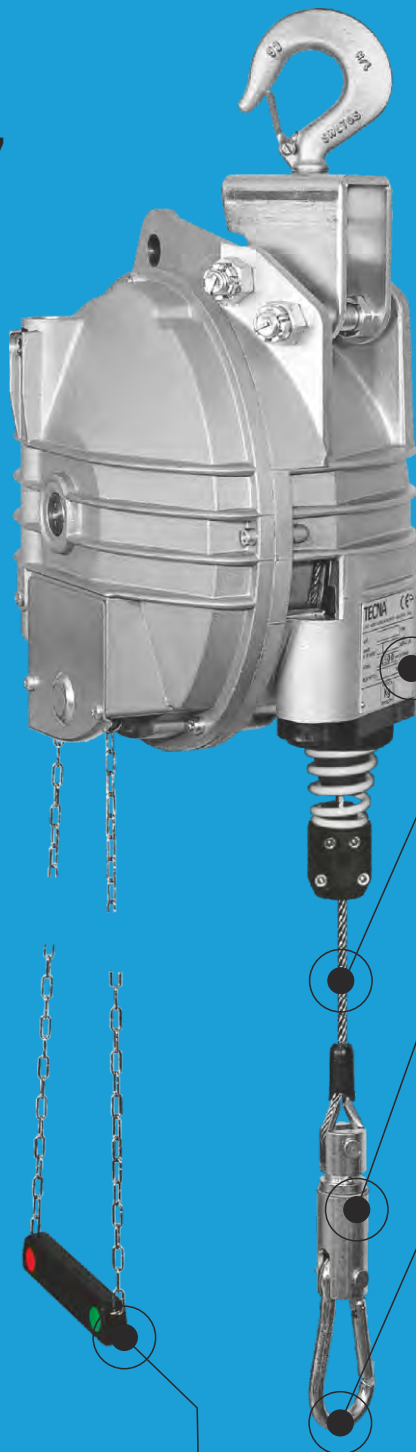


9401 ÷ 9405

9431 ÷ 9433

17



Aluminium

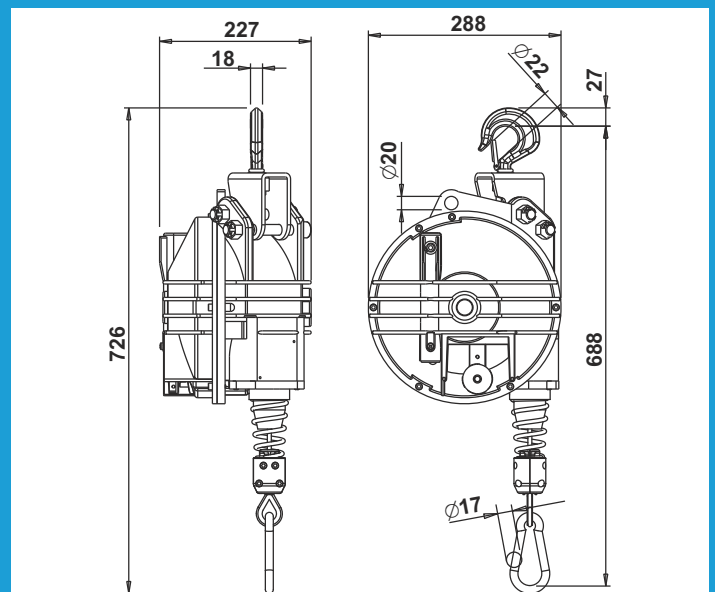
↔	2500 mm	9401÷9405
↔	3000 mm	9431÷9433
Inox		

OPTION RI  
Rotary and insulating device.



15÷60 Kg

OPTION B  
Locking-unlocking device  
with control from the floor.



Item	9401	9402	9403	9404	9405	9431	9432	9433
	15÷20	20÷30	30÷40	40÷50	50÷60	15÷20	20÷25	25÷35
Kg	19,67	21,11	21,11	22,03	23,07	19,67	19,67	21,11