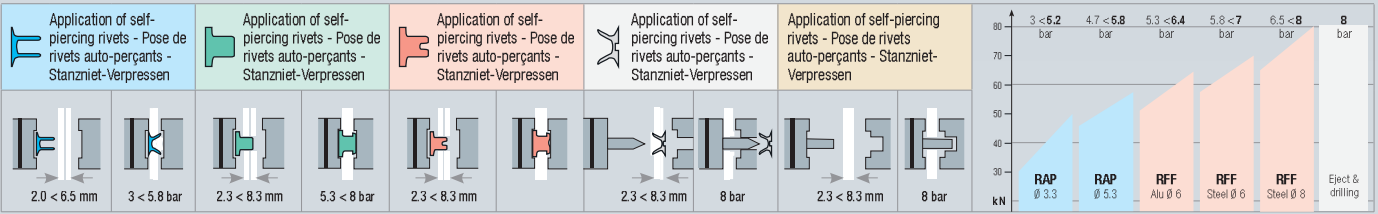
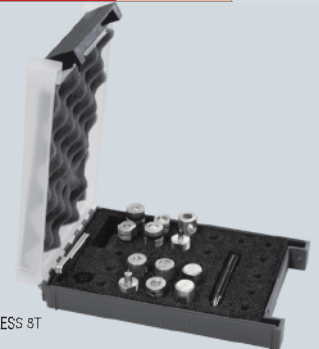

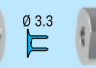

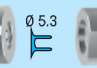








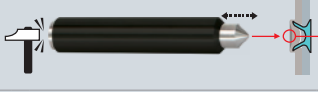

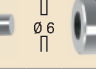


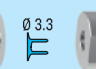

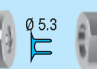

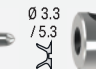



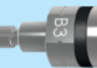
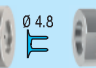










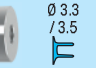








Dies tool boxes



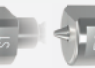











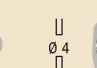







<p>STANDARD 8T</p>  <p>MADE IN FRANCE</p> <p>included in GYSPRESS 8T 053694</p>	Gyspress 8T	 <p>A1 055698</p>	 <p>A2 055704</p>	 <p>B1 055711</p>	 <p>B2 055728</p>	 <p>E1 055865</p>	 <p>E2 055766</p>
	<p>A1 + A2 set 054295</p>	<p>B1 + B2 set 054301</p>	<p>E1 054288 (x 5)</p>	<p>E1 + E2 set 054318</p>			
	 <p>F1 055773</p>	 <p>F2 055780</p>	 <p>D17 055681</p>	 <p>D17 055681</p>	 <p>Flat key - Clé plate (x 2)</p>	 <p>Seal - Joints (x 4)</p>	
	<p>F1 + F2 set 054714</p>	<p>Metal sheet levelling</p>  <p>Special center punch - Pointeau centreur - Spezialkörner 048379</p>		 <p>T1 057098</p>	 <p>T2 057104</p>		



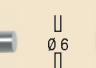










<p>RMB 01</p>  <p>MADE IN FRANCE</p> <p>for BMW 054240</p>	Gyspress 8T	Push Pull	 <p>A1 055698</p>	 <p>A2 055704</p>	 <p>B1 055711</p>	 <p>B2 055728</p>	 <p>E1 055865</p>	 <p>E2 055766</p>
	<p>A1 + A2 set 054295</p>	<p>B1 + B2 set 054301</p>	<p>E1 054288 (x 5)</p>	<p>E1 + E2 set 054318</p>				
	 <p>Flat key - Clé plate (x 2)</p>	 <p>Seal - Joints (x 4)</p>						

<p>RMB 02</p>  <p>MADE IN FRANCE</p> <p>for Jaguar/Land Rover 054271</p>	Gyspress 8T	Push Pull	 <p>B3 055735</p>	 <p>B2 055728</p>	 <p>E1 055865</p>	 <p>E6 057142</p>	 <p>D17 055681</p>	 <p>D17 055681</p>
	<p>B3 055735</p>	<p>B2 055728</p>	<p>E1 055865</p>	<p>E6 057142</p>	<p>D17 055681</p>	<p>D17 055681</p>		
	 <p>Flat key - Clé plate (x 2)</p>	 <p>Seal - Joints (x 4)</p>						

<p>RMB 03</p>  <p>MADE IN FRANCE</p> <p>for VW Group 054257</p>	Gyspress 8T	Push Pull	 <p>A1 055698</p>	 <p>S3 057043</p>	 <p>B1 055711</p>	 <p>S7 057074</p>	 <p>S8 057081</p>
	<p>A1 055698</p>	<p>S3 057043</p>	<p>B1 055711</p>	<p>S7 057074</p>	<p>S8 057081</p>		
	 <p>D8 056039</p>	 <p>D9 056046</p>	 <p>D17 055681</p>	 <p>D8 056039</p>	 <p>D17 055681</p>		
	<p>D8 056039</p>	<p>D9 056046</p>	<p>D17 055681</p>	<p>D8 056039</p>	<p>D17 055681</p>		

 <p>D2 055988</p>	 <p>S1 057036</p>	 <p>D1 055971</p>	 <p>D3 055955</p>	 <p>D4 055742</p>	 <p>S4 057050</p>	 <p>E2 055766</p>	 <p>D13 055759</p>	 <p>S5 057067</p>	 <p>Flat key (x 2)</p>	 <p>Seal (x 4)</p>
--	--	--	--	--	--	--	---	---	---	---

 <p>D10 055674</p>	 <p>D11 056060</p>	 <p>D15 056077</p>	 <p>D16 056084</p>	 <p>D6 056015</p>	 <p>PDP rivets</p>	 <p>D7 056022</p>	 <p>D12 056053</p>	 <p>D5 056008</p>
---	---	---	---	--	---	--	---	---

<p>RMB 04</p>  <p>MADE IN FRANCE</p> <p>for Mercedes-Benz 054264</p>	Gyspress 8T	 <p>T1 057098</p>	 <p>T2 057104</p>	 <p>T3 055827</p>	 <p>T4 055834</p>
	<p>T1 057098</p>	<p>T2 057104</p>	<p>T3 055827</p>	<p>T4 055834</p>	
	 <p>E3 057005</p>	 <p>E4 057012</p>	 <p>E5 057029</p>	<p>for HR3 arm (use with E3, E4, E5) 058637</p>	
	 <p>Flat key - Clé plate (x 2)</p>	 <p>F1 055773</p>	 <p>F2 055780</p>	 <p>F4 055803</p>	 <p>F3 055797</p>