

Traditional technology

Spot welding



MADE IN FRANCE



GYS

PX1 arm included

Caps TYPE F

Clamp

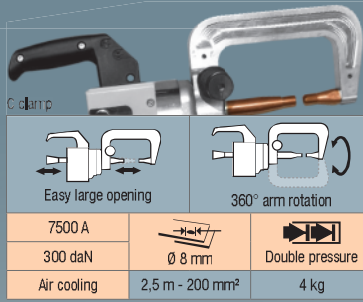
6500 A	Air cooled
120 daN	

Arms Ø 23 mm

<p>PX1 047945</p> <p>$l = 110 \text{ mm}$</p>	<p>PX2 047938</p> <p>$l = 220 \text{ mm}$</p>	<p>PX3 047921</p> <p>$l = 220 \text{ mm}$</p>
<p>PX4 047914</p> <p>$l = 350 \text{ mm}$</p>	<p>PX5 048690</p> <p>$l = 147 \text{ mm}$</p> <p>051614 (x 2)</p>	

Electrodes

<p>EX40 Short electrode 40 mm 047884</p>	<p>EX60 Medium electrode 60 mm 047891</p>	<p>EX80 Long electrode 80 mm 047907</p>
--	---	---



7500 A		
300 daN	$\varnothing 8 \text{ mm}$	Double pressure
Air cooling	2,5 m - 200 mm ²	4 kg



2 \varnothing - 8 mm

STS

Product	MADE IN FRANCE	CE	ERIC	PORTASPOT 230	SPOT 7500 C	SPOT 10000 C
Reference				022256	021129	021631
50/60 Hz - Fuse				230 V - 1 \varnothing - 16 A (D)	400 V - 2 \varnothing - 32 A (D)	400 V - 3 \varnothing - 32 A (D)
A I_{rms}				6300 A	7500 A	10000 A
A I_{max}				8900 A	10500 A	—
F_{max}				120 daN	300 daN	300 daN
Thickness max				: 2 + 2 mm	: 3 + 3 mm : 1,2 + 3 mm	: 3 + 3 + 3 mm : 1,5 + 3 mm
V U_0				2,45 V	11 V	16 V
Dimensions L x l x H				36 x 29 x 10 cm	55 x 75 x 190 cm	70 x 99 x 208 cm
Weight (product/box)				10.5 / 11.5 kg	100 / 112 kg	103 / 114.5 kg
Included				PX1 arm	2,2 m 200 mm ² + 2,5 m 150 mm ² + 2,5 m 150 mm ² + Spotter box PRO	2,5 m 200 mm ² + 2,5 m 150 mm ² + 2,5 m 150 mm ² + Spotter box PRO