

Dent pulling



Dent pulling

Slide hammers - Marteaux à inertie - Ausziehhammer



1,1 kg
049802



(x 20)
052239



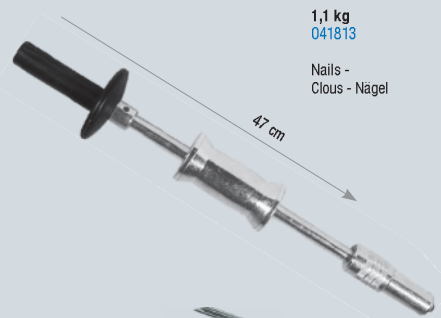
(x 1)
049482



(x 1)
054028



(x 5)
050839



1,1 kg
041813

Nails -
Clous - Nägel

47 cm



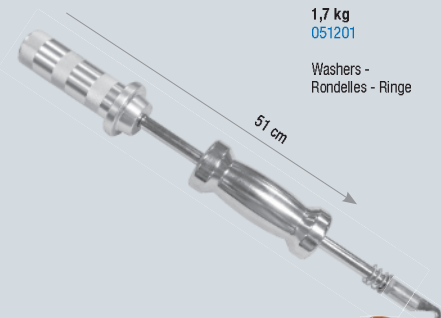
Ø 2, M4 (x 1)
049277



MIG/MAG nozzle for
nail welding 041523



Ø 2 (x 100)
041561



1,7 kg
051201

Washers -
Rondelles - Ringe

51 cm



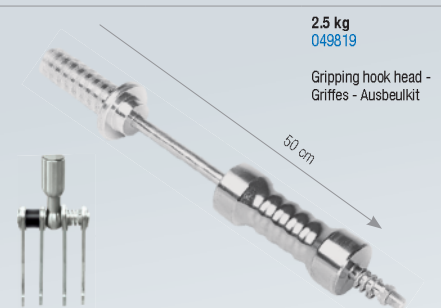
Ø 16, 8x16 (x 1)
049574



(x 1)
051218



8x16 (x 100)
049444



2,5 kg
049819

Gripping hook head -
Griffes - Ausbeulkit

50 cm

COMPLETE KIT :
051225



Dent box Bar
050037



(x 1)



(x 50)

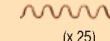
2,5 kg
049819



(x 1)



180 mm (x 1)



(x 25)

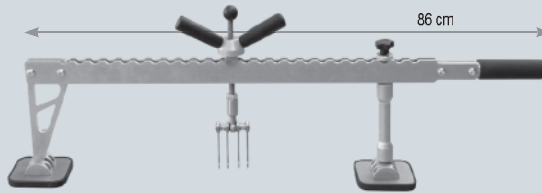
Basic dent pulling bars

Levelling lever - Levier de débosselage
1.6 kg
050686

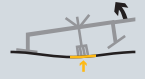


PATENTS REGISTERED NUMBERS
001652108-0002
EUROPEAN TRADEMARK & DESIGN

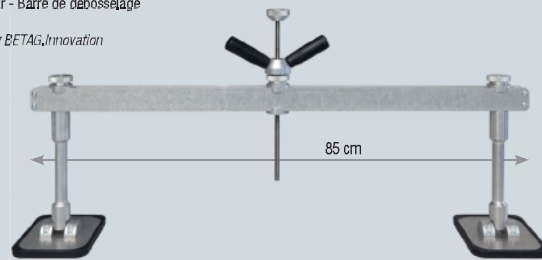
Levelling bar double action - Barre/levier de débosselage
Licensed by BETAG, Innovation
053564



86 cm



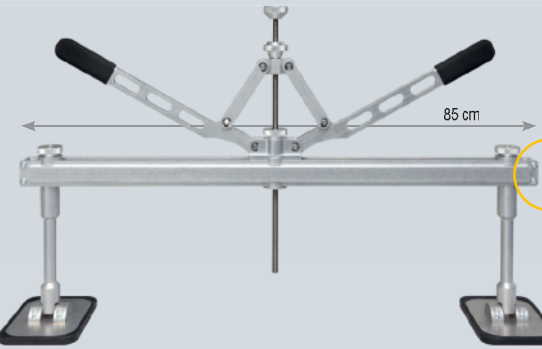
Levelling bar - Barre de débosselage
3.4 kg
Licensed by BETAG, Innovation
050693



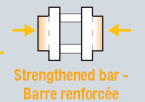
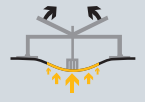
85 cm



Scissoring bar - Barre de tirage - Scherenzugbrücke
5.1 kg
050716



85 cm

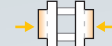


Strengthened bar -
Barre renforcée

PATENTS REGISTERED NUMBERS
001652108-0001
EUROPEAN TRADEMARK & DESIGN

Options

Strengthened bar - Barre renforcée
120 cm
051171



Spacers - Entretoises - Abstandshalter
55 mm
052451 (x 2)



Double pad support -
Support double patins -
DoppelfüÙe
050723



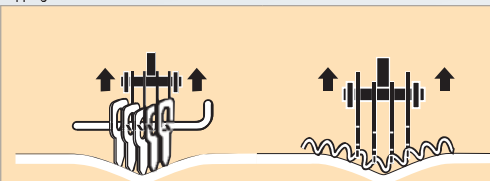
Option
058439

056764

056800



Gripping hook heads - Griffes - Ausbeulkit



Levelling handle 2 hooks - Poignée de tirage 2 dents
057319

